

# TUFF COUNTRY

## EZ-RIDE SUSPENSION

PART NO. TC1199

### PARTS LIST:

Qty.	Description	Part No.
1	Steering Stabilizer Cylinder	TC87325F
1	Mounting Bracket & Hardware	TC1199B
2	1/2" x 3" Bolts	123B
2	1/2" Lock Nuts	12LN
4	1/2" Washers	12WA
2	1/2" Crush Sleeves	12SL
4	3/8" flange Nuts	38FN

### INSTALLATION INSTRUCTIONS

PART NO. TC1199

### STEERING STABILIZER

1999 - CURRENT  
FORD F250 / F350 SUPER DUTY

**Note: All surfaces should be clean and dry before installation.**

1. Place wheels in straight forward position.
2. Locate the 1/2" crush sleeves and insert into the new stabilizer cylinder eyelets. Attach stabilizer in stock mounting bracket located on the passenger side of vehicle and secure using (1) 1/2" x 3" bolt, (2) 1/2" washers and (1) 1/2" lock nut.
3. Attach the new mounting bracket to the tie rod. secure using (2) 3/8" mounting U-bolts and (4) 3/8" flange nuts. **Note: Do not fully tighten at this point. Leave bracket loose.**
4. Attach the rod end of steering stabilizer to the newly installed mounting bracket. Secure cylinder to bracket using (1) 1/2" x 3" bolt, (2) 1/2" washers and (1) 1/2" lock nut.
5. Turn steering wheel fully to the driver side locked position. This should fully extend cylinder and bracket. Now fully tighten the mounting U-bolts.
6. Turn wheels completely to the left and right. making sure that no interference occurs and that wheel stops are completely contacted.
7. Re-check all nuts, bolts and hardware for tightness and check periodically.



# TUFF COUNTRY

## EZ-RIDE SUSPENSION

FORD F250 & F350 SUPER DUTY  
DUAL IN-LINE STABILIZER  
PART NO. TC2299

**PARTS LIST:**

Qty.	Description	Part No
2	Outer Stabilizer Brackets	TC2299-01
1	Inner Stabilizer Bracket	TC2299-02
2	Stabilizer Cylinders	TC2299SC
4	Universal Mounting Hardware	P98
1	Hardware Bag	TC2299NB
1	Instruction Sheet	TC2299INST

**Congratulations** on your selection to purchase a Tuff Country Suspension System. We at Tuff Country are proud to offer a high quality product at the industries most competitive pricing. Thank you for your confidence in us, and our product.

**\*Important Notes:** Please read before beginning installation. OEM Manual should be used as a reference.

TUFF COUNTRY SUSPENSION highly recommends a qualified and or certified mechanic to perform this installation.

Check off parts list to be sure all parts are on hand. If any part is missing, you may call Tuff Country at: (800) 288-2190.

Read and understand all sections of instruction manual.

Use locktite on all bolts associated with this installation.

**Product safety label must be installed inside the cab in plain view of all occupants.**

**Torque Settings:**

5/16"	15-18 ft. lbs.
3/8"	28-32 ft.lbs.
7/16"	30-35 ft. lbs.
1/2"	65-85 ft. lbs.
9/16"	75-90 ft. lbs
5/8"	85-110 ft. lbs.
3/4"	105-125 ft. lbs.

## INSTALLATION MANUAL

### DUAL IN-LINE STABILIZER

1998 - 2001 FORD F250 & F350  
SUPER DUTY  
PART # TC2299

SJ120200

**WARNING: TUFF COUNTRY EZ-RIDE SUSPENSION HIGHLY RECOMMENDS THAT A CERTIFIED MECHANIC PERFORMS THIS INSTALLATION.**

### WARNING

**If you desire to return vehicle to stock make sure to save all stock components**

### IMPORTANT CUSTOMER INFORMATION

This vehicle's reaction and handling characteristics may differ from standard cars and/or trucks. Modifications to improve and or enhance off road performance may raise the intended center of gravity. Extreme caution must be utilized when encountering driving conditions which may cause vehicle imbalance or loss of control. Drive Safely! Avoid abrupt maneuvers, such as sudden sharp turns, which could cause a roll over, resulting in serious injury or death.

It is the customer's responsibility to make sure a re-torque is performed on all hardware associated with this suspension system after the first 100 miles of installation. It is also the customer's responsibility to do a complete re-torque after every 1000 miles or after every off road use.

After the original installation, Tuff Country also recommends having the alignment checked every 6 months to ensure proper tracking, proper wear on tires and front end components. Tuff Country takes no responsibility for abuse, improper installation, or improper suspension maintenance.

### IMPORTANT NOTICE

**DO NOT install a body lift in combination with a suspension system. If a body lift is used in conjunction with any Tuff Country Suspension product, your Tuff Country WARRANTY WILL BE VOID.**

### NOTICE

**It is the responsibility of the customer or the mechanic to wear safety glasses at all times when working with air tools.**

1. Make sure that the steering wheel is straight and the wheels and tires are going forward. Working on the driver side, remove the two U-bolt nuts off the front legs of the front U-bolts and save high nuts and washers for later re-installation.

2. Locate (2) outer stabilizer brackets, (2) 9/16" U-bolt high nuts and (2) 9/16" U-bolt washers. Install one outer stabilizer bracket to the driver side and secure using the U-bolt high nuts and washers that were removed in step # 1. **Torque to 95 ft lbs.** On the passenger side, install the outer stabilizer bracket without taking off the U-bolt nuts and washers. Secure using new 9/16" U-bolt high nuts and washers. **Torque to 95 ft lbs.**

**See Illustration # 1**

3. Locate (3) 3/8" x 1 1/2" x 3" round tie rod u-bolts, (6) 3/8" unitorque nuts and (1) inner stabilizer brackets. Install new inner stabilizer bracket to the center of the tie rod and secure using new U-bolts and nuts. **Torque to 35 ft lbs.** **Special Note: Make sure that inner stabilizer bracket is located directly in the middle of the tie rod. To help find this measurement, measure from the outer holes in both the drive and passenger side stabilizer bracket and divide it by 2. Then measure from one outer stabilizer bracket to the middle of the vehicle and secure inner stabilizer bracket.**

**See Illustration # 2**

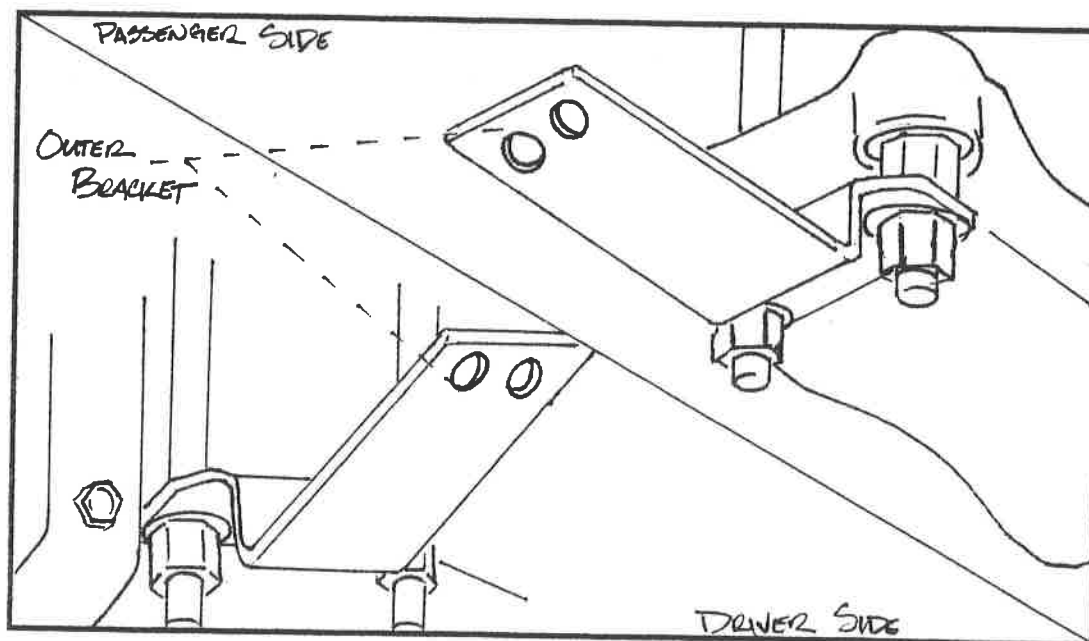
4. Locate (4) universal mounting bolts and install into the outer and inner stabilizer brackets. **Torque to 100 ft lbs.** **Special Note: When install the universal mounting bolts on the outer stabilizer bracket make sure to install them to the outer holes on both the driver and passenger side.**

5. Locate (2) stabilizer cylinder and new dust boots. Install new dust boot covers on both stabilizer. Install new cylinder to newly installed stabilizer brackets and torque nuts to **65 ft lbs.**

**See Illustration # 3**

6. Turn the wheels from lock to lock and make sure that there is no interference. **Special Note: The stock tie rod adjusting sleeve may need to be inverted if contact occurs.**

**Congratulations Installation Complete**



**IIIUSTRATION # 1**

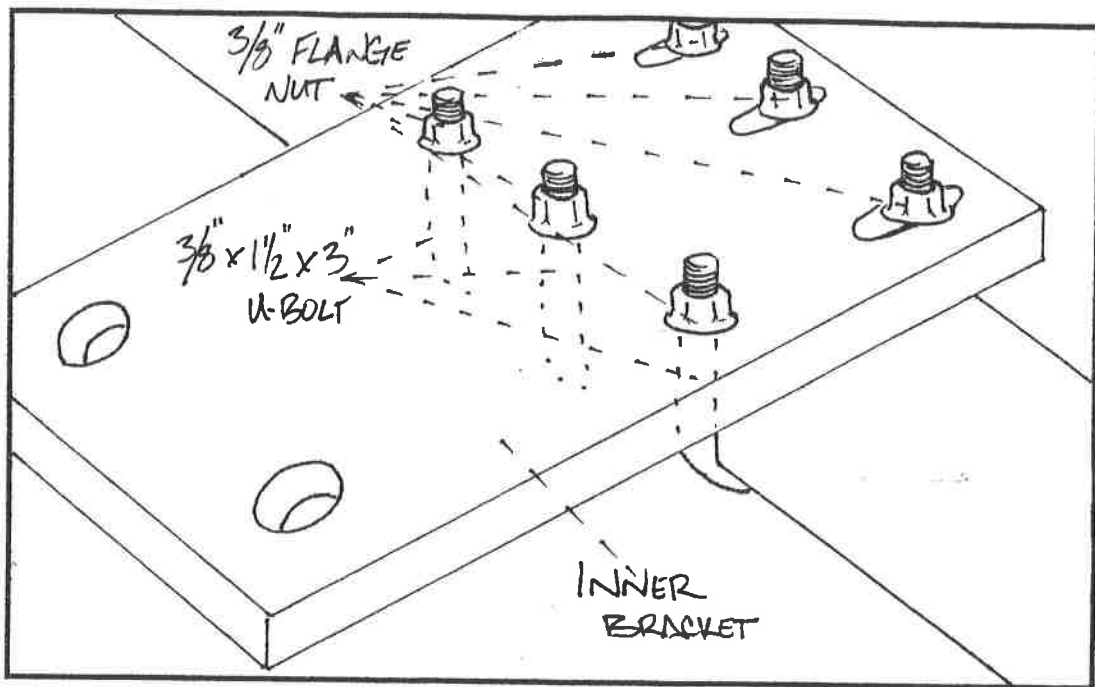


ILLUSTRATION # 2

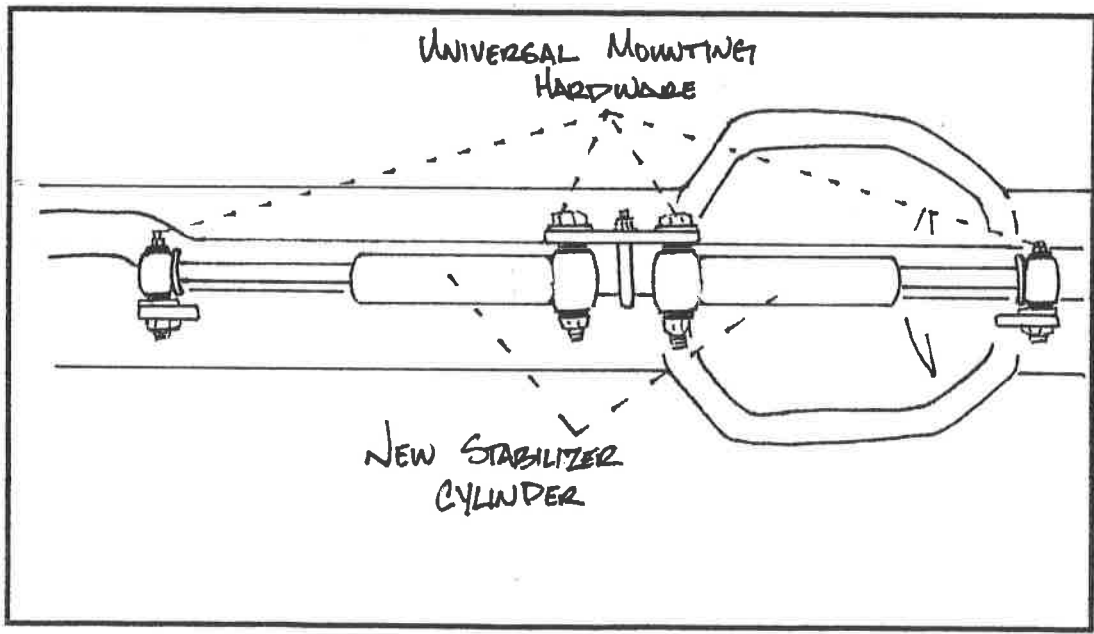


ILLUSTRATION # 3